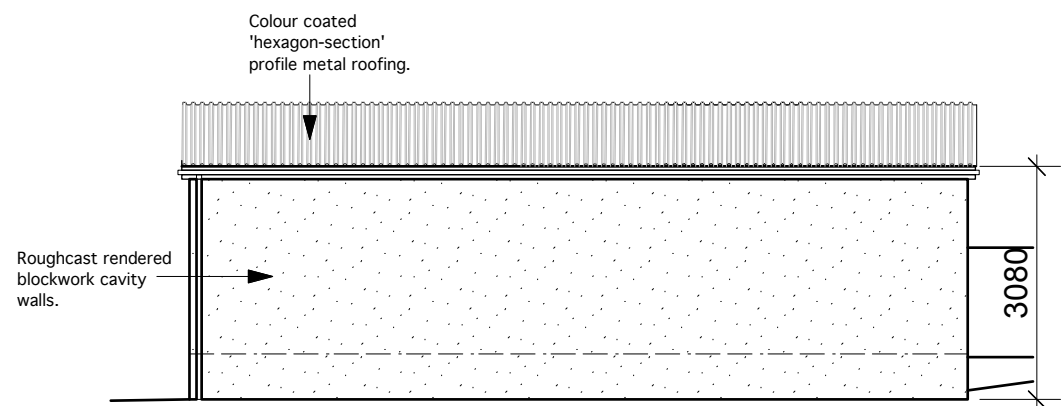
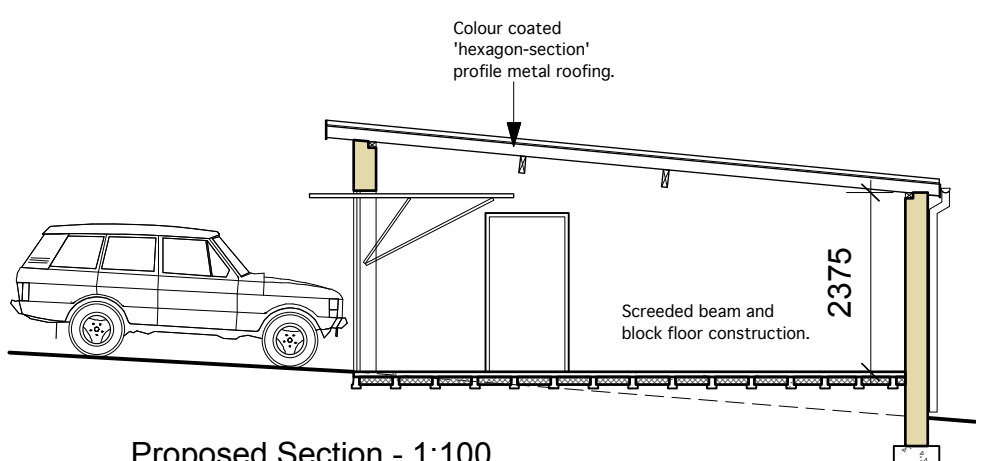


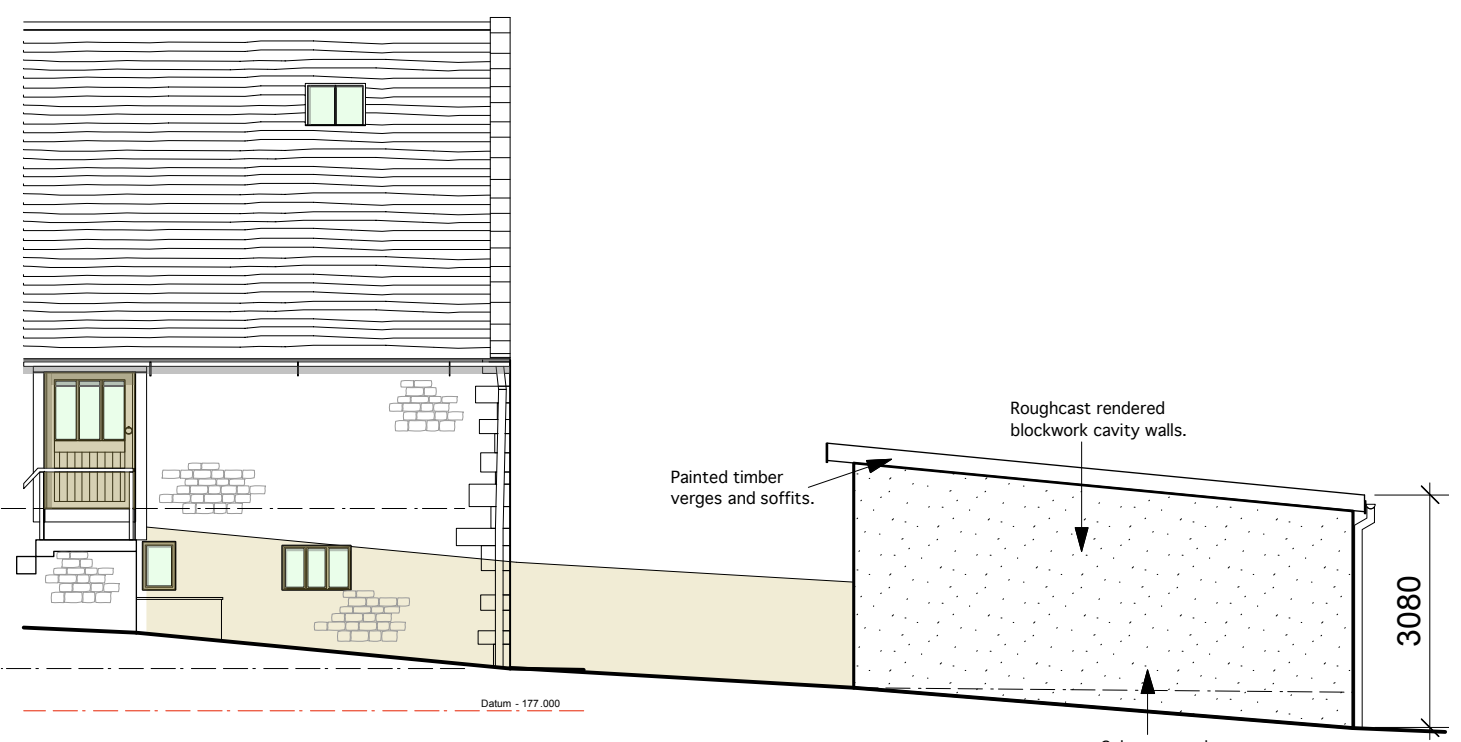
Proposed West Elevation - 1:100



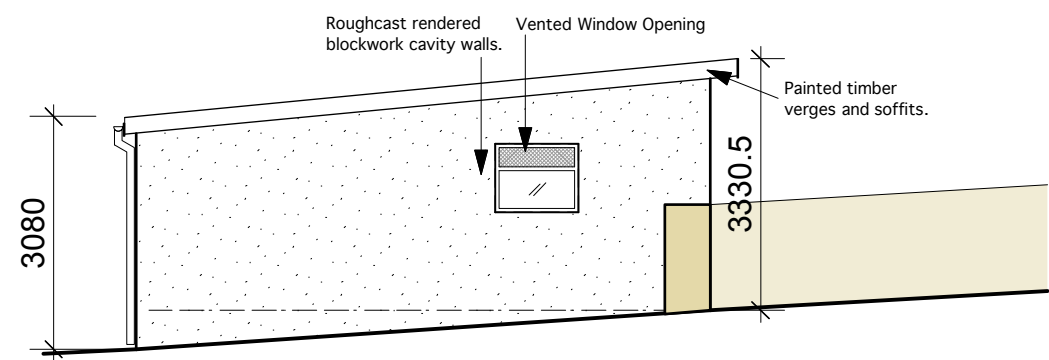
Proposed East Elevation - 1:100



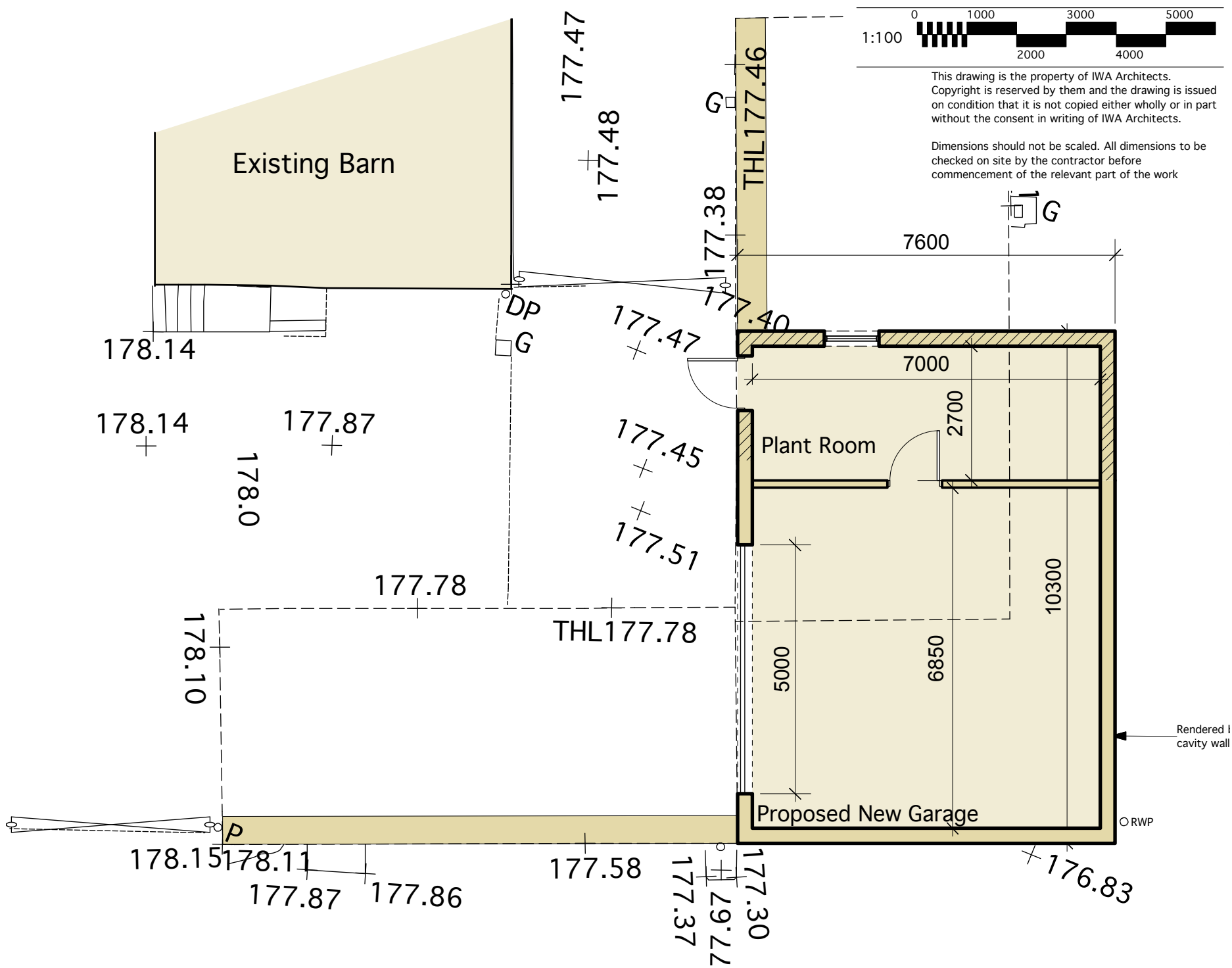
Proposed Section - 1:100



Proposed South Elevation - 1:100



Proposed North Elevation - 1:100



This drawing is the property of IWA Architects. Copyright is reserved by them and the drawing is issued on condition that it is not copied either wholly or in part without the consent in writing of IWA Architects.

Dimensions should not be scaled. All dimensions to be checked on site by the contractor before commencement of the relevant part of the work

Rev	Date	Description
-	-	-

Witton's Farm
Forest Beck, Bolton-by-Bowland

Proposed Garage / Plant Room
Planning Application

Drwg. No.: 1822.P.006 Rev.: -

Date: Jun '17 Scale: 1:100@A3

IWA Architects

Waterloo Mill, Waterloo Road, Clitheroe, Lancashire, BB7 1LR.

t: +44 (0) 1200 423487
f: +44 (0) 1200 458278
e: admin@iwarchitects.co.uk
w: www.iwarchitects.co.uk